

## Application Data Sheet: Garlock 3-D Seal

Name: \_\_\_\_\_  
 Company: \_\_\_\_\_  
 Address: \_\_\_\_\_  
 Phone No.: \_\_\_\_\_  
 Fax No.: \_\_\_\_\_  
 E-Mail: \_\_\_\_\_

Date	_____	
Enquiry No.	_____	
Attachment	Yes	No

Garlock ID: \_\_\_\_\_

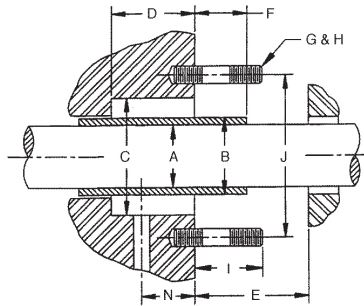
### Current Seal

#### Equipment:

- Centrifugal Pump  
 Positive Displacement Pump  
 Progressive Cavity Pump  
 Mixer/Agitator  
 Other: \_\_\_\_\_

Survey Tag No: \_\_\_\_\_  
 Current Seal Mfr: \_\_\_\_\_  
 Model No: \_\_\_\_\_  
 Location: \_\_\_\_\_

### Dimensional Data:



A. Shaft Diameter: \_\_\_\_\_  
 Hardened:  Yes  No  
 B. Sleeve Diameter: \_\_\_\_\_  
 C. Bore Diameter: \_\_\_\_\_  
 D. Bore Depth: \_\_\_\_\_  
 E. First Obstruction: \_\_\_\_\_  
 F. Sleeve Extension: \_\_\_\_\_  
 G. Bolt Diameter: \_\_\_\_\_  
 H. Bolt Quantity: \_\_\_\_\_  
 I. Bolt Extension: \_\_\_\_\_  
 J. Bolt Circle: \_\_\_\_\_  
 Bolt Orientation: \_\_\_\_\_  
 Max. Gland Diameter: \_\_\_\_\_  
 Gland Shape:  Round  Elliptical  
 Flush Port \_\_\_\_\_ Size: \_\_\_\_\_  
 Does the shaft step down below the sleeve extension?  Yes  No  
 Diameter: \_\_\_\_\_

#### GARLOCK GMBH

an EnPro Industries family of companies  
 Falkenweg 1, 41468 Neuss, Germany  
 Tel: +49 2131 349 0  
 www.garlock.com

Garlock Sealing Technologies  
 Garlock USA  
 Garlock Australia  
 Garlock Canada

Garlock China  
 Garlock Germany  
 Garlock India  
 Garlock de México

Garlock Middle East  
 Garlock New Zealand  
 Garlock Singapore  
 GPT

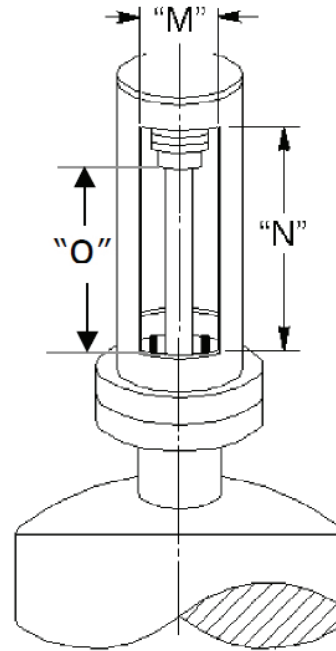
# Application Data Sheet: Garlock 3-D Seal

**Elastomer**

- EPR     
  Fluoroelastomer     
  Perfluoroelastomer  
 Other: \_\_\_\_\_

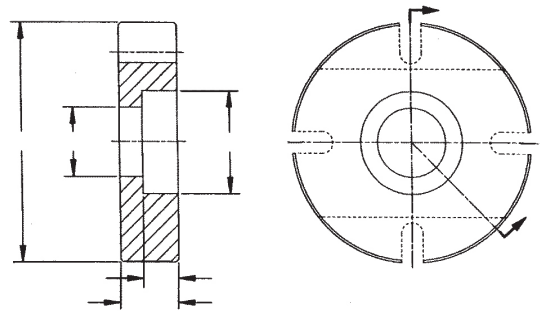
**Mixer Detail**

- M. Window Width: \_\_\_\_\_  
 N. Window Height: \_\_\_\_\_  
 O. Distance to Coupling: \_\_\_\_\_  
 Size: \_\_\_\_\_  
 Is stuffing box removable?     Yes     No  
 If yes, what is the:  
   Box Length: \_\_\_\_\_  
   Box Circle: \_\_\_\_\_  
   Box Quantity: \_\_\_\_\_  
   Box Size: \_\_\_\_\_



**Gland Detail:**

1. Mark tap location(s) / Flush or Barrier
2. Mark bolt locations and indicate if drilled or slotted



If round gland cannot be used, provide additional details:

\_\_\_\_\_

\_\_\_\_\_

\_\_\_\_\_

\_\_\_\_\_

\_\_\_\_\_

**GARLOCK GMBH**

an EnPro Industries family of companies  
 Falkenweg 1, 41468 Neuss, Germany  
 Tel: +49 2131 349 0  
 www.garlock.com

Garlock Sealing Technologies  
 Garlock USA  
 Garlock Australia  
 Garlock Canada

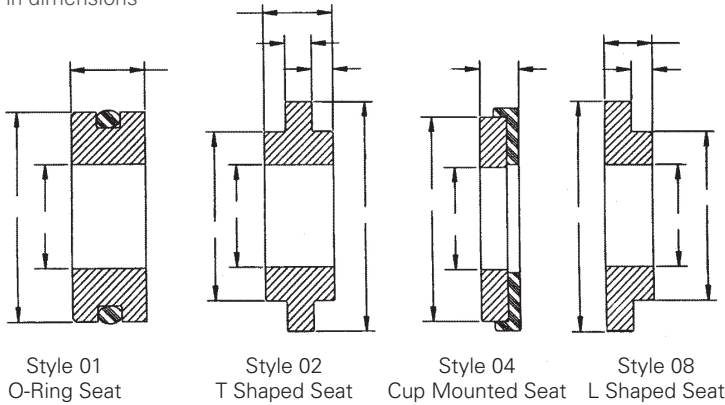
Garlock China  
 Garlock Germany  
 Garlock India  
 Garlock de México

Garlock Middle East  
 Garlock New Zealand  
 Garlock Singapore  
 GPT

## Application Data Sheet: Garlock 3-D Seal

### Typical Seat Configuration:

Fill in dimensions



### Application Data

#### Process Information

Process/Fluid: \_\_\_\_\_ Max. Stuffing Box: \_\_\_\_\_

Shaft Speed (RPM): \_\_\_\_\_ Process Type

Temperature (°C): \_\_\_\_\_  Corrosive  Abrasive

Pressure (PSIG): \_\_\_\_\_ Viscosity: \_\_\_\_\_

Suction: \_\_\_\_\_ Movement of Shaft

Discharge: \_\_\_\_\_ Axial: \_\_\_\_\_ Max.: \_\_\_\_\_

Vessel: \_\_\_\_\_ Radial: \_\_\_\_\_ Max.: \_\_\_\_\_

#### Environmental Controls

Can process be flushed?  Yes  No      Media: \_\_\_\_\_

Cooling available?  Yes  No      Media: \_\_\_\_\_

Barrier fluid available?  Yes  No      Media: \_\_\_\_\_

#### Present Sealing Device

Packing: \_\_\_\_\_ Approximate Cost: \_\_\_\_\_

Seal Style: \_\_\_\_\_ Approximate Life: \_\_\_\_\_

Manufacturer: \_\_\_\_\_

**Other Configurations:** Please send drawing via E-Mail

#### GARLOCK GMBH

an EnPro Industries family of companies  
Falkenweg 1, 41468 Neuss, Germany  
Tel: +49 2131 349 0  
www.garlock.com

Garlock Sealing Technologies  
Garlock USA  
Garlock Australia  
Garlock Canada

Garlock China  
Garlock Germany  
Garlock India  
Garlock de México

Garlock Middle East  
Garlock New Zealand  
Garlock Singapore  
GPT